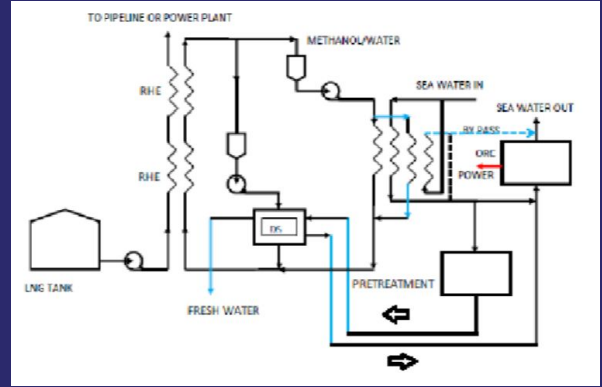


Granted IN419254

# Process and system for routing lng cold energy for desalinating sea water and power generation



## NEED

There's a need to utilize LNG cold energy efficiently to prevent wastage and minimize ecological damage caused by altering seawater temperatures during desalination processes.

## SOLUTION

The invention introduces a modified regasification process and system, leveraging LNG cold energy for desalination and power generation, mitigating ecological harm.

## INNOVATION

The invention presents a novel process and system for routing LNG cold energy, incorporating specific steps to enhance desalination efficiency and minimize environmental impact, addressing critical challenges in energy and water resource management.

## MARKET ANALYSIS

Market: Energy and Desalination Industry  
CAGR: Expected to grow at a CAGR of around 7-9%.

Potential Indian Clients: Energy companies involved in LNG transportation, desalination plants, power generation companies, and environmental agencies concerned with marine ecology.

## WHY INVEST?

- LNG (Liquefied Natural Gas)
- Cold energy
- Desalination
- Power generation



## AT A GLANCE

- Current TRL NA
- Funded by NA
- IPC H02K
- Domain  
Energy & Environmental Technology



Srinivas Krishnaswamy, Parul Sahu,  
Ponnani Krishnaswamy Neelakanthan,  
Parivesh Chugh, Nawal Kishore Pande  
Department of, Chemical  
BITS Pilani, Goa Engineering Campus

For more information, reach out to (contact person), (designation), (organization) at (email ID) and (phone number)

