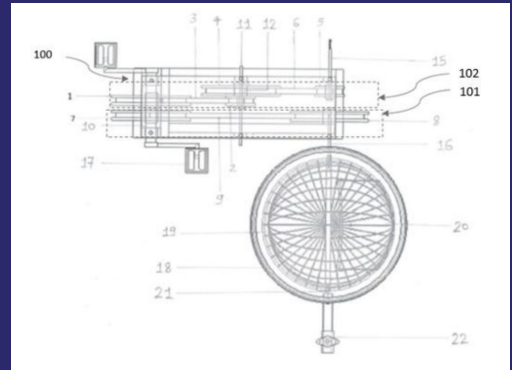


Granted IN474488

# Apparatus for cleaning and drying of clothes



## NEED

The apparatus needs to operate at two variable final speeds without changing pedalling speed, presenting a challenge for effective operation.

## SOLUTION

The invention introduces a washing and drying apparatus with a shaft and pulley arrangement to ensure variable speeds for washing and drying functions while maintaining constant pedalling speed.

## INNOVATION

Designing an apparatus with independent pulley sets driven by the shaft to achieve variable speeds for washing and drying processes without altering pedalling speed, enhancing efficiency and user experience.

## MARKET ANALYSIS

Market: Household Washing Machines  
CAGR: Market for sustainable household appliances.  
Potential Indian Clients: Urban households seeking sustainable alternatives to conventional washing machines, environmentally-conscious consumers, organizations promoting eco-friendly living.

## WHY INVEST?

- Washing machine
- Pedal-powered
- Ergonomic speed
- Sustainable design

## AT A GLANCE

- Current TRL NA
- Funded by NA
- IPC B27C
- Domain Sustainable Household Appliances



Madanrao Singru Pravin, Gupta Appur, Kalola Meet Govindbhai, Bana Ankit

Department of, NA  
BITS Pilani, Hyderabad Campus

For more information, reach out to (contact person), (designation), (organization) at (email ID) and (phone number)

