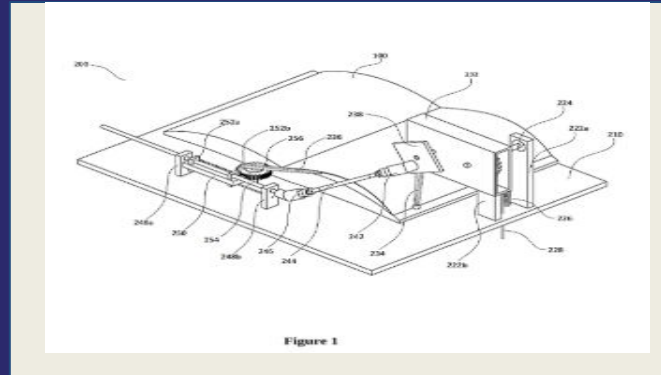


Granted IN493647

An apparatus for turning a page of a book



NEED

Existing page-turning devices for individuals with limited mobility are bulky, dependent on external power, or damage books, highlighting a need for a portable, efficient solution.

SOLUTION

The invention provides an apparatus for effortlessly turning book pages, catering to users with limited mobility and enhancing reading accessibility.

INNOVATION

The apparatus features a pickup arm and a turning arm, utilizing a spatial four bar linkage mechanism to efficiently turn pages.

MARKET ANALYSIS

Market: Assistive technology devices, educational institutions, music schools, libraries

CAGR: Estimated to be around 5-7%

Potential Indian Clients: Rehabilitation centers, special education schools, music academies, public libraries

WHY INVEST?

- Pickup arm
- Four-bar linkage mechanism
- Linear motion
- Driving unit

AT A GLANCE

- Current TRL NA
- Funded by NA
- IPC B42D
- Domain Assistive Technology



Singru Pravin Madanrao, Zodage Tejas
Ajay

Department of, Mechanical Engineering
BITS Pilani, Goa Campus

For more information, reach out to (contact person), (designation), (organization) at (email ID) and (phone number)

