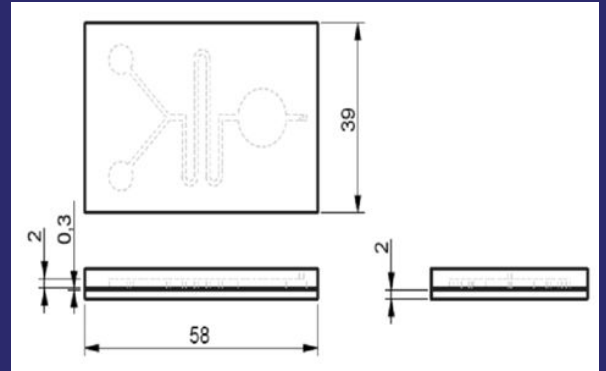


Granted IN201911004347

Microfluidics based integrated system for nitrite and nitrate detection and analysis



NEED

Existing testing methods rely on bulky laboratory setups, lacking a miniaturized, integrated, compact, and standalone system for nitrite and nitrate detection.

SOLUTION

The invention describes a testing apparatus for identifying and analyzing nitrites and nitrates in liquid samples.

INNOVATION

Developing a compact testing apparatus comprising syringe pumps, a microfluidic chip, a motor unit, a detection unit, and a control unit for efficient nitrite and nitrate detection in liquid samples.

MARKET ANALYSIS

Market: Water Quality Monitoring
CAGR: ~7%

Potential Indian Clients: Municipal water authorities, water treatment facilities, environmental agencies

WHY INVEST?

- Microfluidics
- Testing apparatus
- Nitrate
- Nitrite
- Syringe pumps

AT A GLANCE

- Current TRL NA
- Funded by NA
- IPC B01L, G01N
- Domain
Microfluidic Water Testing



For more information, reach out to (contact person), (designation), (organization) at (email ID) and (phone number)



Prof. Dudala Sohan, Prof. Dubey Satish Kumar, Prof. Goel Sanket

Department of, Electrical Engineering
BITS Pilani, Hyderabad Campus

